

Cooler DWK 3

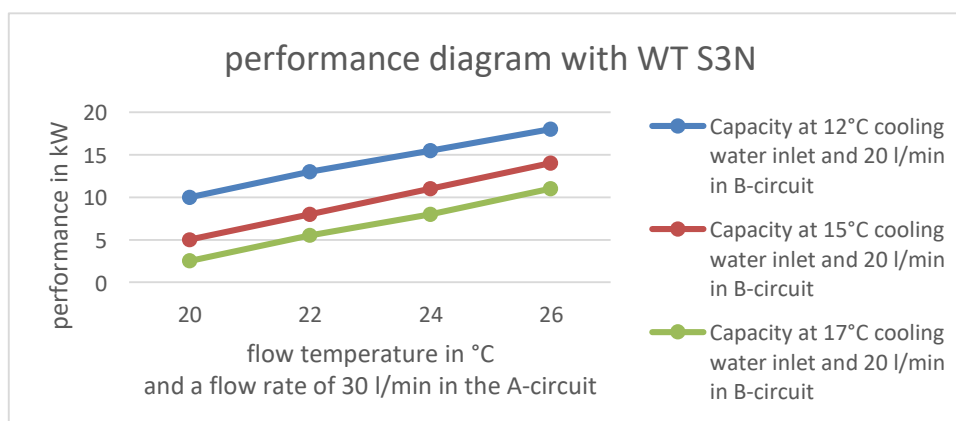
Technical data

An unit from the DWK series is a temperature control unit which is dimensioned so that it can be installed in a 19" rack.

The water side is designed for DI water without additives.

Technical data

Heat transfer efficiency	see diagram	
Medium	DI-water > 30µS	
Temperature precision	+/- 1	K
Flow temperature of medium	21	°C
Return temperature of medium	26	°C
Pump power CM 3-6	30	l/min
at an initial pressure of	3	bar
Pump power consumption	0,67	kW
Cooling water inlet temperature	12	°C
Cooling water outlet temperature	19	°C
Cooling water quantity	20	l/min
Max. differential pressure	2	bar
Total power consumption approx.	0,9	kW
Power supply voltage	230 V, 50 Hz, N, PE	
Tank capacity approx.	12	l
Water connection, consumer circuit	3/4 "	AG
Water connection, cooling water side	3/4 "	AG
Dimensions approx.	620 x 440 x 400	mm

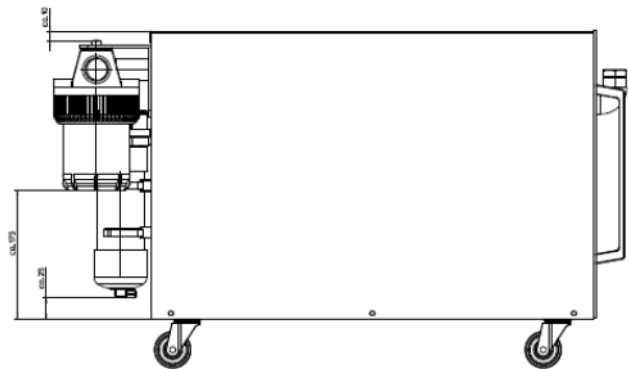
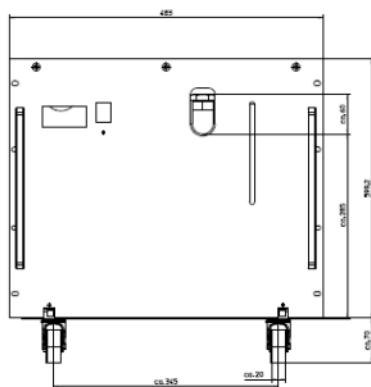


Cooler DWK 3

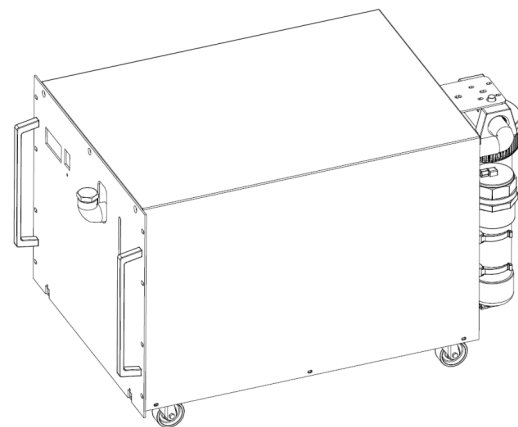
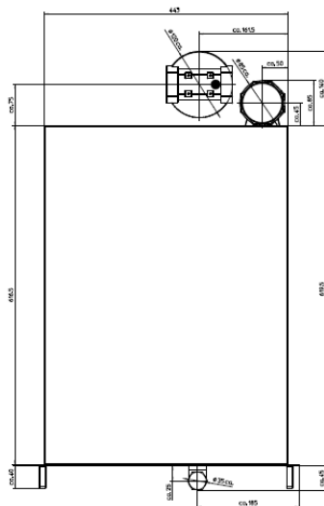
Technical data

Case:

- closed, stable housing, with hinged front panel
- easy replacement of components possible
- Level indicator and filler neck integrated in the front panel



Example with option filter, ion exchanger and rollers



Cooler DWK 3

Technical data

Consumer circuit:

- Horizontal centrifugal pump: all parts of the pump in contact with water made of stainless steel or plastic and thus suitable for DI water
- Dry-running protection for the pump
- Angle seat valve (VA) for manual adjustment of the power to the operating point
- Stainless steel spiral heat exchanger S3N, welded
- All necessary piping up to the connections present
- 12 liter tank made of Lexan with drain
- Internally completely piped with corrosion-free materials

Cooling water circuit:

- stainless steel spiral heat exchanger S3N, welded
- magnetic valve (Ms) as control element in the cooling water circuit
- All necessary piping up to the connections present
- Cooling water circuit rated for water without additives
- Internally completely piped

Electrical terminal box:

- in closed version
- completely wired according to EN 60 204-1 and UVV/VBG4 with all switching, control and monitoring devices
- All components necessary for operation present

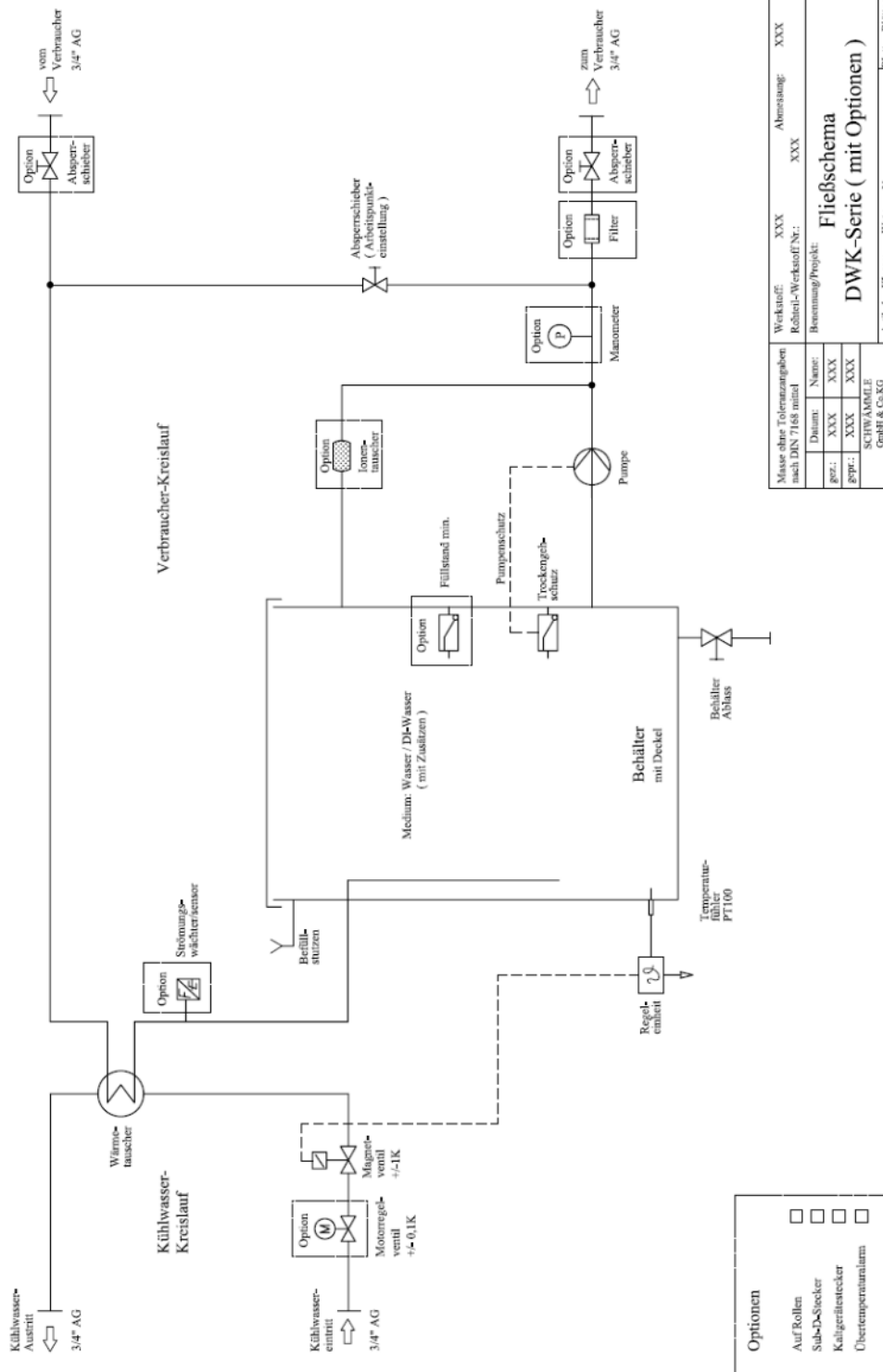
The following options are available for the DWK:

- Device on rollers
- Interface 9 pin Sub-D connector for floating contacts
- Remote on/off as potential-free contact
- Fill level min. as potential-free contact
- Overtemperature as potential-free contact
- Flow switch 3-30 l/min adjustable (stainless steel)
- Flow sensor with 4-20mA signal output/switch contact programmable
- High temperature accuracy of +/-0.1 K with motor control valve in cooling water
- Cold-device plug with two fuses
- Filter unit (100µm) in the flow of the consumer circuit outside the unit
- Ion exchanger(IT63) on the outside of the unit
- Overflow safety valve (stainless steel)
- Shut-off valves (stainless steel) in the consumer circuit on the outside of the unit
- Shut-off cocks (brass) in the cooling circuit on the outside of the unit

Cooler DWK 3

Technical data

Flow diagram:



Maßstab der Zeichnung/nach DIN 7149 mind.	Werkstoff: XXX	Abmessung: XXX
Datum: XXX	Reibteil-Werkstoff/Nr.: XXX	
ggz.: XXX	Benennung/Projekt: Fließschema	
SPW.: XXX	DWK-Serie (mit Optionen)	
SCHWÄMMLE GmbH & Co. KG		Blatt v. Blättern