

Temperature control unit NWK 2

Technical data

A unit from the NWK series is a temperature control unit which is dimensioned so that it can be installed in a 19" rack.

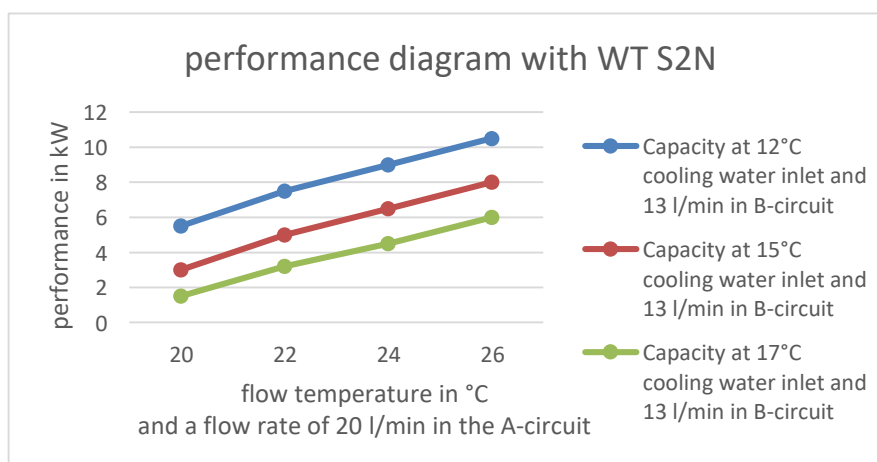
The usable water side is designed for water without additives.

Technical data

Heat transfer capacity	see diagram
Medium	water
Temperature precision	+/- 1 K
Flow temperature of the medium	21°C
Return temperature of the medium	25 °C
Pump power CM 1-6	up to 20 l/min
At a precharge pressure of	3 bar
Pump power consumption	0,5 kW
Cooling water inlet temperature	12 °C
Cooling water output temperature	18,5 °C
Cooling water quantity	13 l/min
Max. Differential pressure	2 bar
Total power consumption approx.	0,7 W
Supply voltage	230 V / 50 Hz, N, P
Tank capacity approx.	12 l
Water connections, consumer circuit	3/4" AG
Water connections, cooling water side	3/4" AG
Dimensions:	620x440x400 mm



Image similar

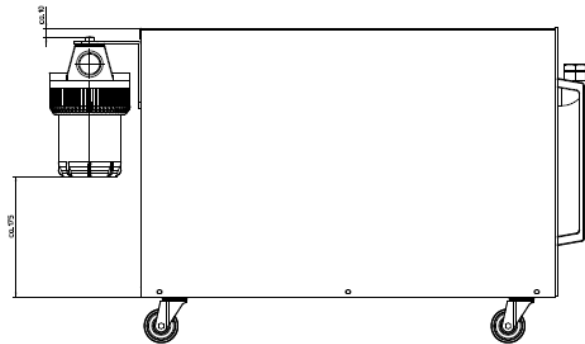
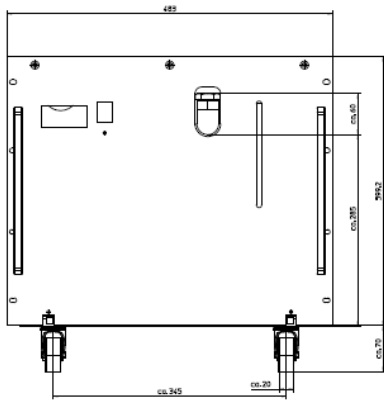


Temperature control unit NWK 2

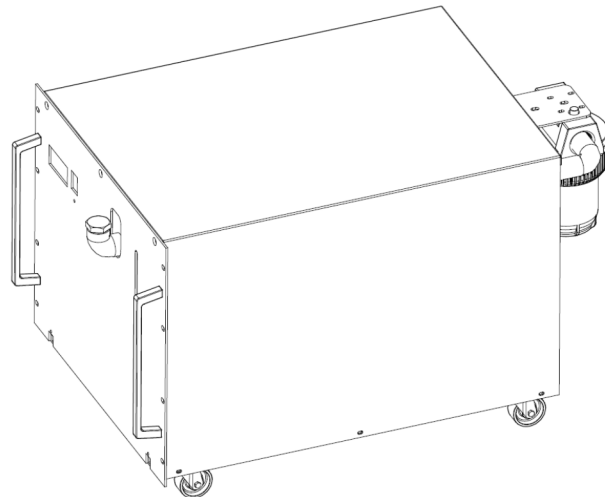
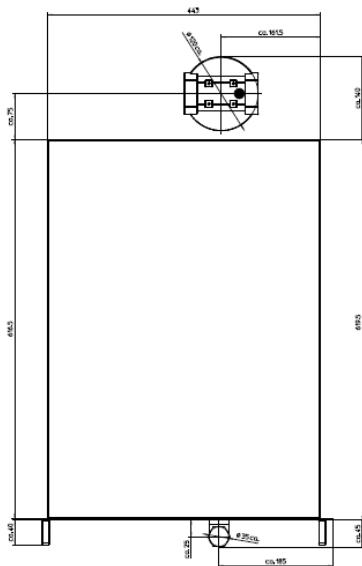
Technical data

Case:

- closed, stable housing, with hinged front panel
- easy exchange of components possible
- Level indicator and filler neck integrated in the front panel



with option filter and casters



Temperature control unit NWK 2

Technical data

Consumer circuit:

- Horizontal centrifugal pump; All parts of the pump in contact with water in stainless steel
- Dry running protection for the pump
- Angle seat valve (Ms) for manual adjustment of the capacity to the operating point
- Spiral heat exchanger S2N in stainless steel, welded
- All necessary piping up to the connections available
- 12 liter tank made of Lexan with drain
- Internally completely piped with non-corrosive materials

Cooling water circuit:

- Spiral heat exchanger S2N made of stainless steel, welded
- Solenoid valve (Ms) as control element in the cooling water circuit
- All necessary piping up to the connections available
- Cooling water circuit designed for water without additives
- Internally completely piped

Electrical terminal box:

- in closed design
- completely wired according to EN 60 204-1 and UVV/VBG4 with all switching, control and monitoring devices
- All components necessary for operation are present

The following options are available for the DWK:

- Device on rollers
- Interface 9 pin Sub-D connector for potential free contacts
- Remote on/off as potential free contact
- Level min. as potential free contact
- Overtemperature as potential free contact
- Flow monitor 3-30 l/min adjustable (brass)
- Flow sensor with 4-20mA signal output/switch contact programmable
- High temperature accuracy of +/-0,1 K with motor control valve in cooling water
- Cold appliance plug with two fuses
- Filter unit (100µm) in the flow of the consumer circuit outside the unit
- Overflow safety valve (brass)
- Shut-off cocks (brass) in the consumer circuit outside the unit
- Shut-off cocks (brass) in the cooling circuit outside the unit