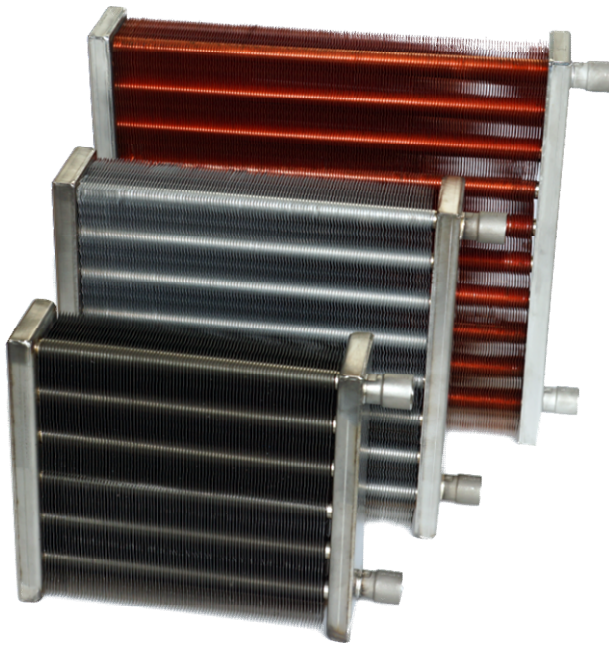


Heat exchanger ELW

Technical data



ELW 2 to 4
with aluminium-, copper- or
stainless steel-slats



complete with fan
example ELW 4

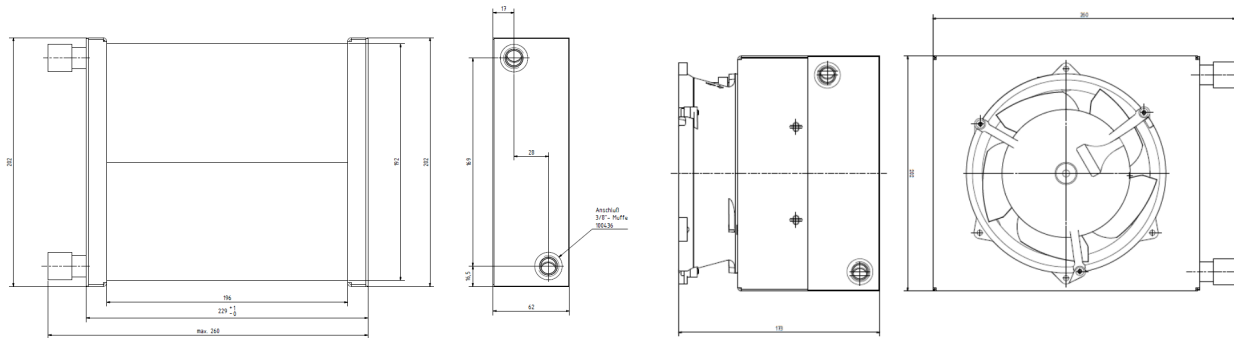
Material

Raw material (Fluid)	1.4571
Raw material (slats)	aluminium, copper or stainless steel
Raw material (air box)	aluminium
connection	3/8" inside thread
Max. pressure	4 bar
Slat distance	2 mm
Temperature range (air)	-20 up to +120 °C
Temperature range (Fluid)	-20 up to +120 °C

Heat exchanger ELW

ELW 2

Measurements



Without fan

with fan

W x H x D

260 x 222 x 62 mm

260 x 222 x 173 mm

weight

AL-version 1,6 kg
 Cu-version 2,4 kg
 VA-Version 2,6 kg

2,9 kg
 3,7 kg
 3,9 kg

Fluidvolume

Volume flow
 Pressure drop

0,5 Liter
 6 – 17 l/min
 0,05 – 0,3 bar

Cooling efficiency

50 – 55 W/K

Fan data

Volume flow

350 m³/h

230 V AC – version

230 V / 50 Hz, 24 W
 230 V / 60 Hz, 26 W

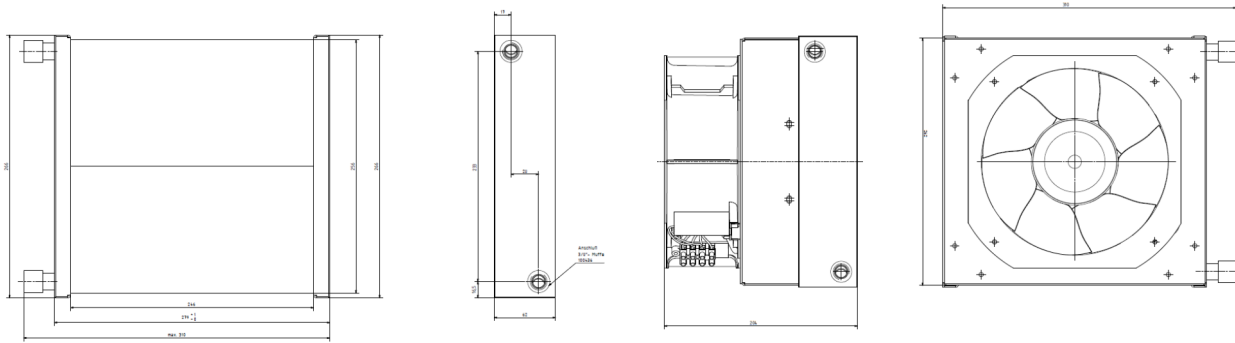
24 V DC – version

24 V DC, 17W

Heat exchanger ELW

ELW 3

Measurements



Without fan

with fan

W x H x D

310 x 266 x 62 mm

310 x 266 x 204 mm

weight

AL- version

2,3 kg

5,4 kg

Cu- version

3,8 kg

6,9 kg

VA- version

4,0 kg

7,1 kg

Fluidvolume

0,75 Liter

Volume flow

6 – 17 l/min

Pressure drop

0,07 – 0,4 bar

Cooling efficiency

88 – 98 W/K

Fan data

Volume flow

700 m³/h

230 V AC – version

230 V / 50 Hz, 64 W

230 V / 60 Hz, 80 W

24 V DC – version

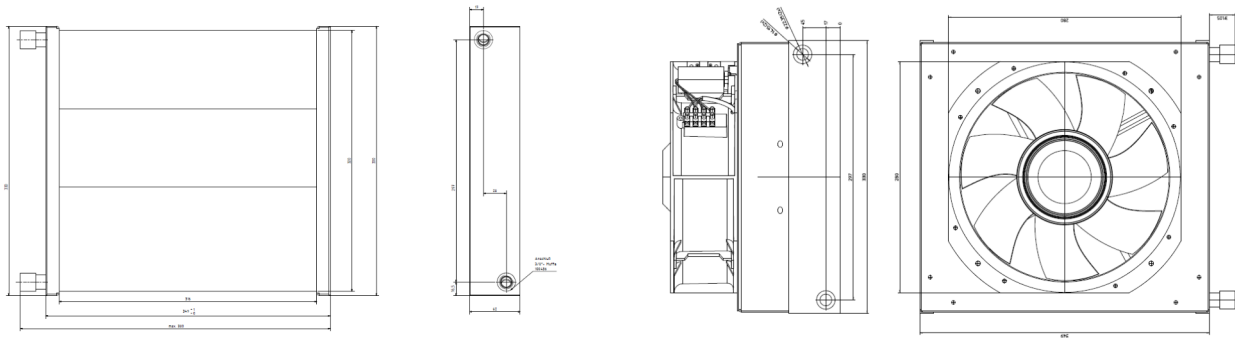
24 V DC, 55 W

(possibility if speed regulation)

Heat exchanger ELW

ELW 4

Measurements



Without fan

with fan

W x H x D

380 x 330 x 62 mm

380 x 330 x 214 mm

weight

AL- version

3,3 kg

6,8 kg

Cu- version

5,5 kg

9,0 kg

VA- version

5,8 kg

9,3 kg

Fluidvolume

1,0 Liter

Volume flow

6 – 17 l/min

Pressure drop

0,1 – 0,45 bar

Cooling efficiency

160 – 180 W/K

Fan data

Volume flow

1600 m³/h

230 V AC – version

230 V / 50 Hz, 127 W

230 V / 60 Hz, 180 W

24 V DC – version

24 V DC, 105 W

(possibility if speed regulation)